



VVT II LED VAPOR TIGHT

INSTALLATION INSTRUCTIONS

⚠ CAUTION

PLEASE READ INSTRUCTIONS BEFORE COMMENCING INSTALLATION AND RETAIN FOR FUTURE REFERENCE.
Electrical products can cause death or injury, or damage to property. If any doubt about the installation or use of this product, consult a competent electrician.

⚠ WARNING

- To reduce the risk of death, personal injury or property damage from fire, electric shock, falling parts, cuts/abrasions, and other hazards read all warnings and instructions included with and on the fixture box and all fixture labels.
- Before installing, servicing, or performing routine maintenance upon this equipment, follow these general precautions.
- Commercial installation, service and maintenance of luminaires should be performed by a qualified licensed electrician.
- To prevent wiring damage or abrasion, do not expose wiring to edges of sheet metal or other sharp objects.
- Do not make or alter any open holes in an enclosure of wiring or electrical components during kit installation.

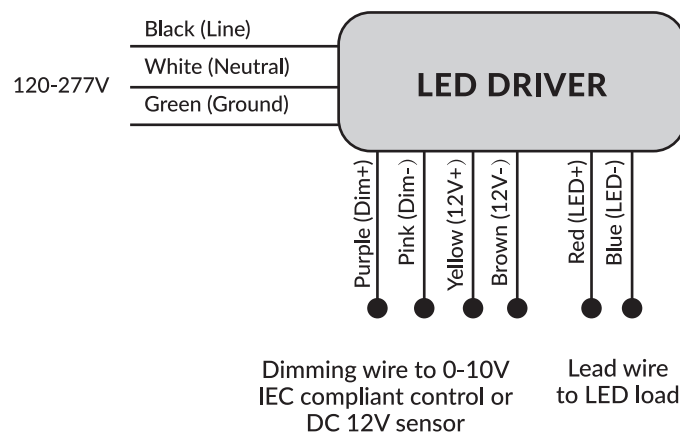
⚠ WARNING

- Turn off electrical power at fuse or circuit breaker box before wiring fixture to the power supply.
- Turn off the power when you perform any maintenance.
- Verify that supply voltage is correct by comparing it with the luminaire label information.
- All wiring connections should be capped with UL approved wire connectors.

⚠ CAUTION

- Avoid direct eye exposure to the light source while it is on.
 - Account for small parts and destroy packing material, as these may be hazardous to children.
 - Risk of burn. Disconnect power and allow fixture to cool before changing bulb or handling fixture.
- NOTICE: Green ground screw provided in proper location. Do not relocate.
NOTICE: Minimum 90°C supply conductors.
NOTICE: Specifications and dimensions subject to change without notice.
NOTICE: Suitable for Damp or Wet location.

General Wiring Diagram:





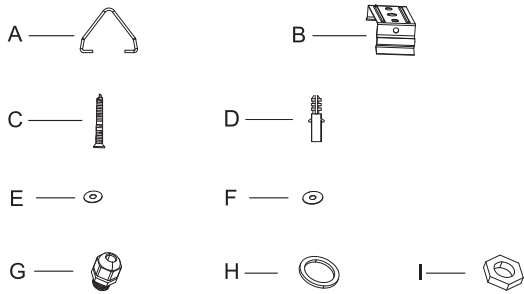
VVT II LED VAPOR TIGHT INSTALLATION INSTRUCTIONS

Installation Instructions :

TURN OFF POWER FROM MAIN CIRCUIT BREAKER

- Read all Warnings and Installer Notes before proceeding with this installation.
- Check to ensure all parts listed are included.

Parts include:



	Part List	4FT	8FT
A	V-HOOK	2	3
B	SURFACE MOUNT BRACKET	2	3
C	SELF-TAPPING SCREW	2	3
D	SCREW ANCHORING	2	3
E	MENTAL WASHER	2	3
F	RUBBER WASHER	2	3
G	WATERPROOF CONNECTOR PLUG	1	1
H	SEALING RING	1	1
I	SCREW NUT	1	1

Surface Mounting:

- Locate and drill holes, install clips on the ceiling surface using the accessories listed in the parts list (Figure 1).
- Release the latches by pulling the top of the latch away from the lens on the fixture. Detach the LED tray from the housing (Figure 2).
- Connect the flexible power cord (provided by others) to the driver (Figure 3).
- Reattach the LED tray and lens to the fixture, secure the lens to the housing with the lens latches(Figure 4).
- Connect the fixture to AC power following the General Wiring Diagram (Figure 5).
- Press the fixture housing onto the clips until both sides of the housing recesses are secured (Figure 6).

Note: Connect the flexible cord (SJTW 18AWG, not included) to the driver input wires. Attach the wet-location rated strain relief (included) to the side-hole of the housing. Ensure any gap is sealed with glue.

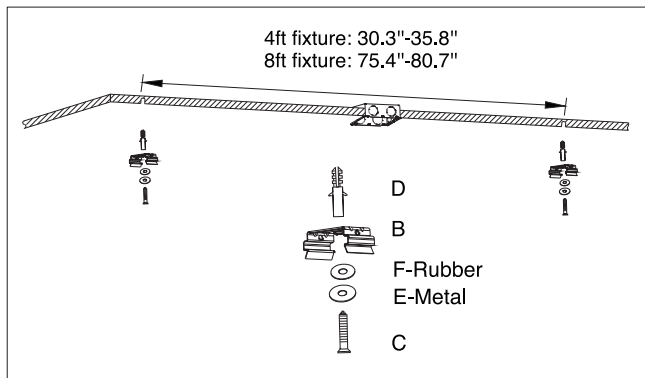


Figure 1

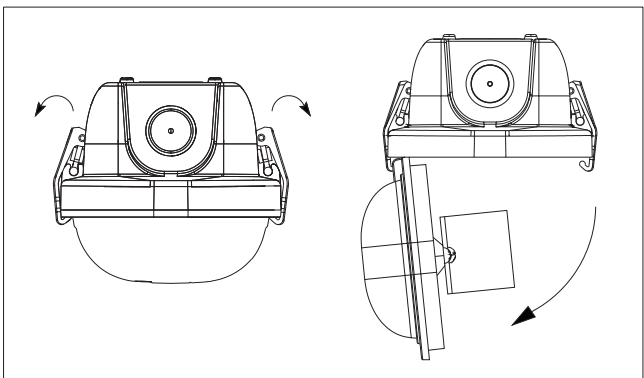


Figure 2



VVT II LED VAPOR TIGHT INSTALLATION INSTRUCTIONS

Installation Instructions :

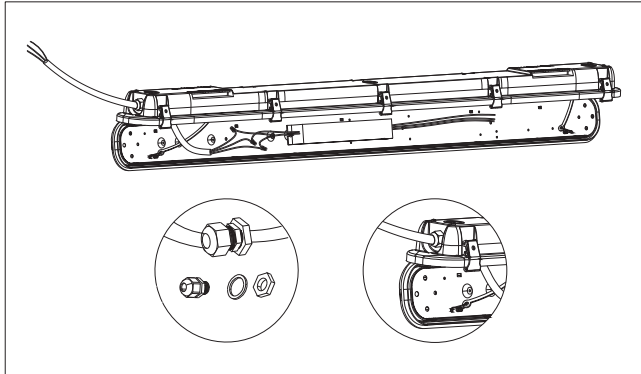


Figure 3

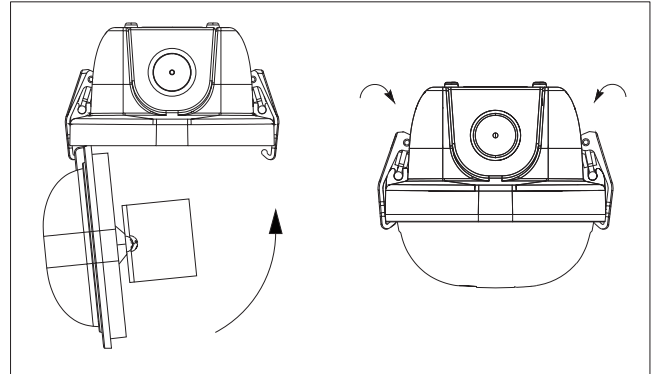


Figure 4

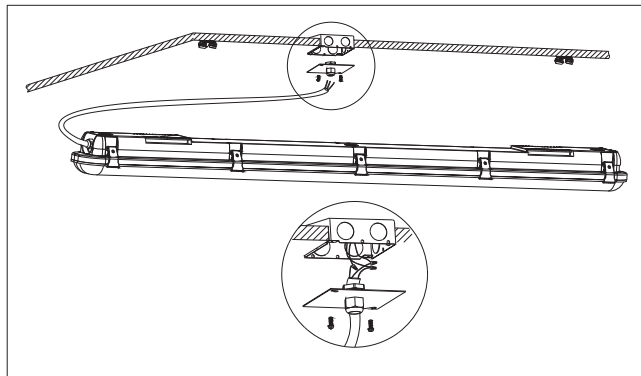


Figure 5

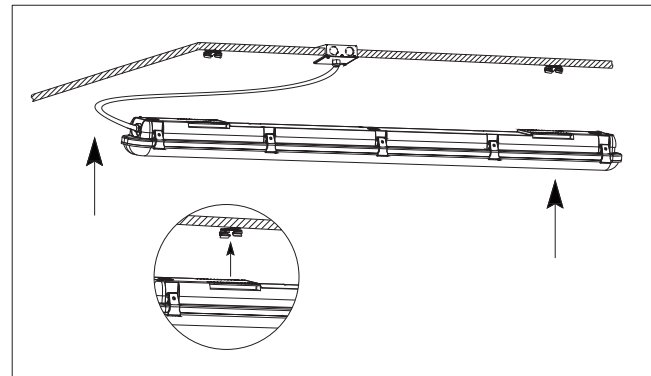


Figure 6

Chain Suspended Mounting:

- Attach V-hooks to each mounting clip by spreading the ends of the V-hooks apart and then inserting the legs into the holes on the side of the mounting clips. Secure mounting clips to fixture housing recesses by firmly pressing them into place until both sides of the clip are secured (Figure 1).
- Release the latches by pulling the top of the latch away from the lens on the fixture. Detach the LED tray from the housing (Figure 2).
- Connect the flexible power cord (provided by others) to the driver (Figure 3).
- Hang fixture to the suspended chain (provided by others) with the V-brackets. Connect the fixture to AC power following the General Wiring Diagram (Figure 4).
- Reattach the LED tray and lens to the fixture, secure the lens to the housing with the lens latches (Figure 5) and complete the installation (Figure 6).

Note: Connect the flexible cord (SJTW 18AWG, not included) to the driver input wires. Attach the wet-location rated strain relief (included) to the side-hole of the housing. Ensure any gap is sealed with glue.

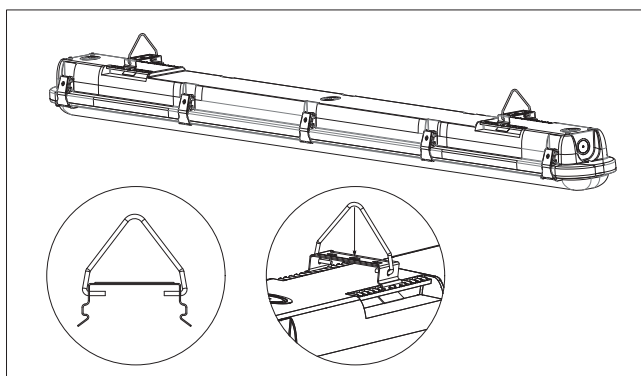


Figure 1

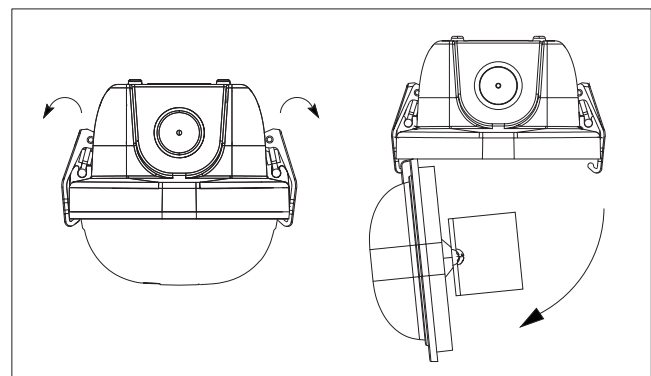


Figure 2



VVT II LED VAPOR TIGHT

INSTALLATION INSTRUCTIONS

Installation Instructions :

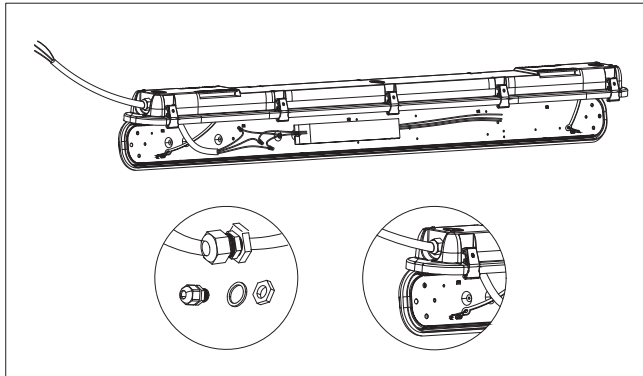


Figure 3

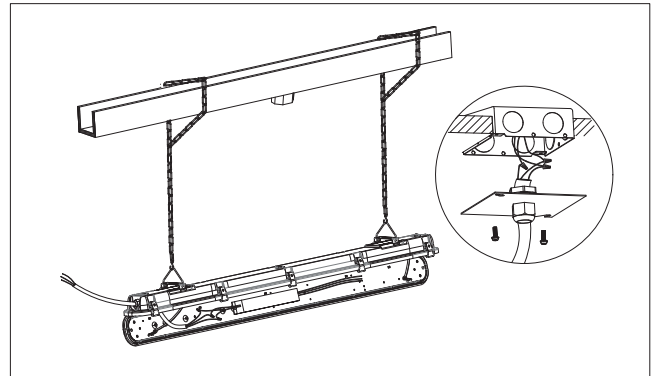


Figure 4

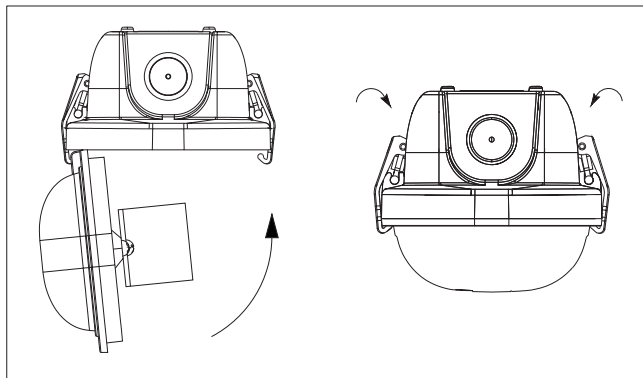


Figure 5

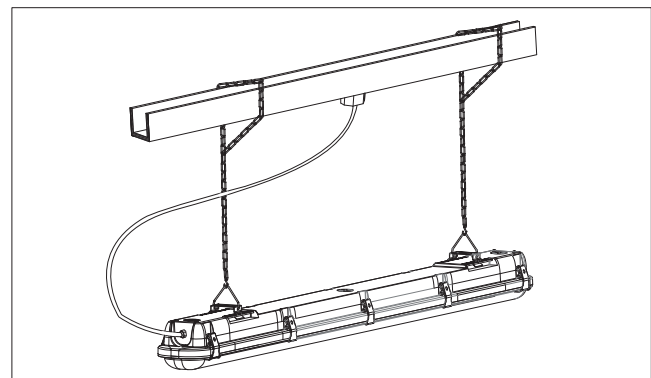


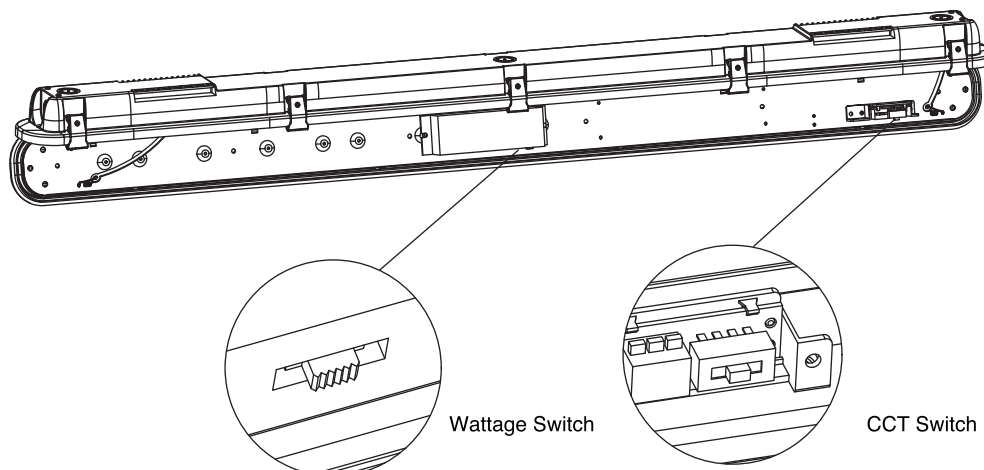
Figure 6

Field-Adjustable CCT & Wattage

The end user may adjust the color temperature and lumen output respectively by the two DIP switches . Each DIP switch is accommodated with 3 options, corresponding to 3 color temperatures and 3 wattage respectively, which can perform the desired color temperature and lumen output combination.

DIP switches are located inside the fixture. Remove the LED engine and access to the DIP switches.

- Select a wattage and color temperature by sliding switch left or right respectively to the desired value.
- Factory Settings: 4000K; Max. power



Wattage Switch

CCT Switch



VVT II LED VAPOR TIGHT

INSTALLATION INSTRUCTIONS

LED Systems Information

Part No.	Input Wattage	Working Current	Voltage	PF	Dimming
VVT4-5L/6L/7L-U-CCTS-FRL	38W/46W/54W	0.14-0.45AMP	120-277V, 50/60Hz	>0.9	0-10V
VVT4-5L-U-35	38W	0.14-0.32AMP			
VVT4-5L-U-40					
VVT4-5L-U-50					
VVT4-6L-U-35	46W	0.17-0.38AMP			
VVT4-6L-U-40					
VVT4-6L-U-50					
VVT4-7L-U-35	54W	0.19-0.45AMP			
VVT4-7L-U-40					
VVT4-7L-U-50					
VVT8-10L/11L/12L-U-CCTS-FRL	65W-75W-90W	0.23-0.75AMP			
VVT8-10L-U-35	65W	0.23-0.54AMP			
VVT8-10L-U-40					
VVT8-10L-U-50					
VVT8-11L-U-35	75W	0.27-0.63AMP			
VVT8-11L-U-40					
VVT8-11L-U-50					
VVT8-12L-U-35	90W	0.32-0.75AMP			
VVT8-12L-U-40					
VVT8-12L-U-50					